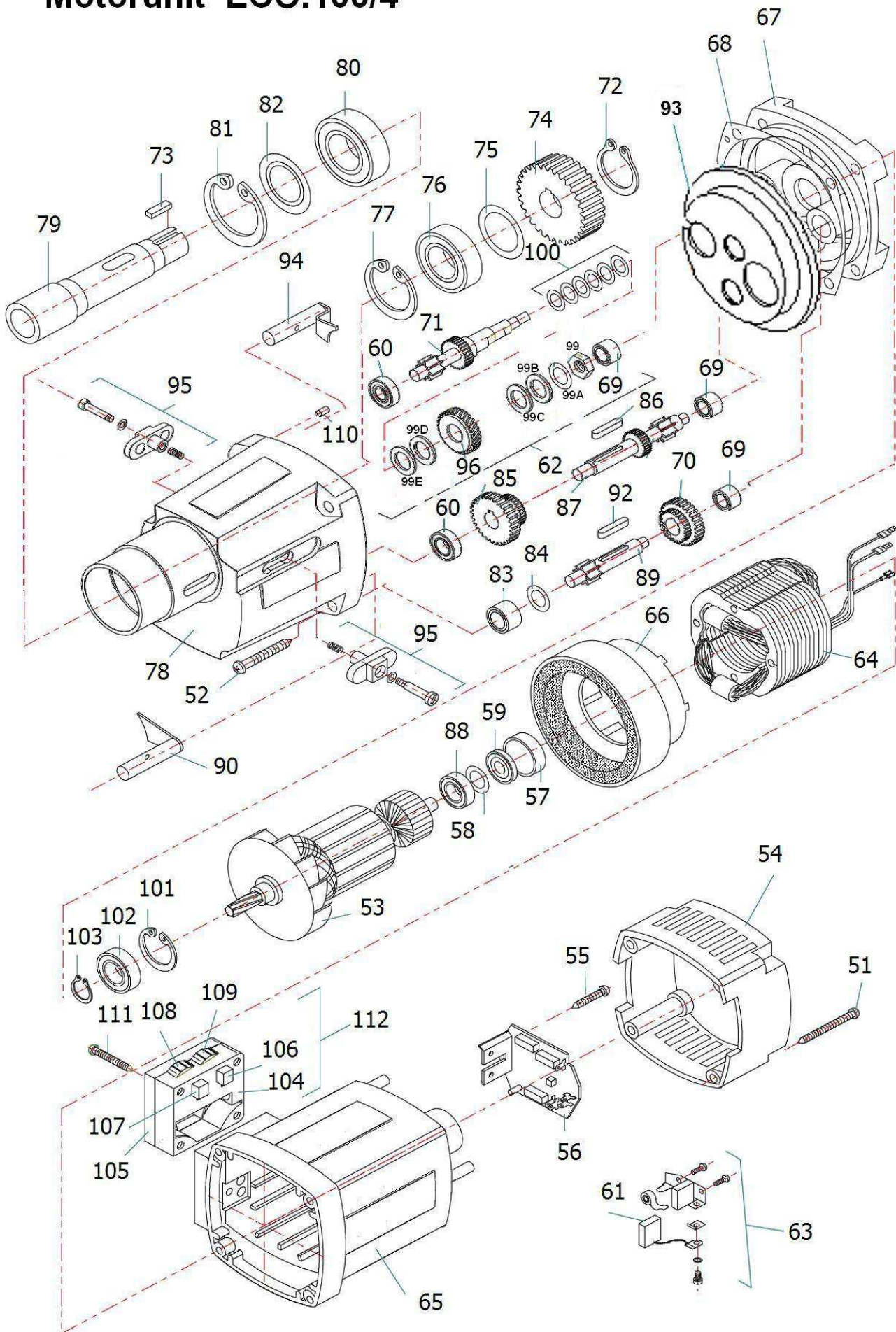
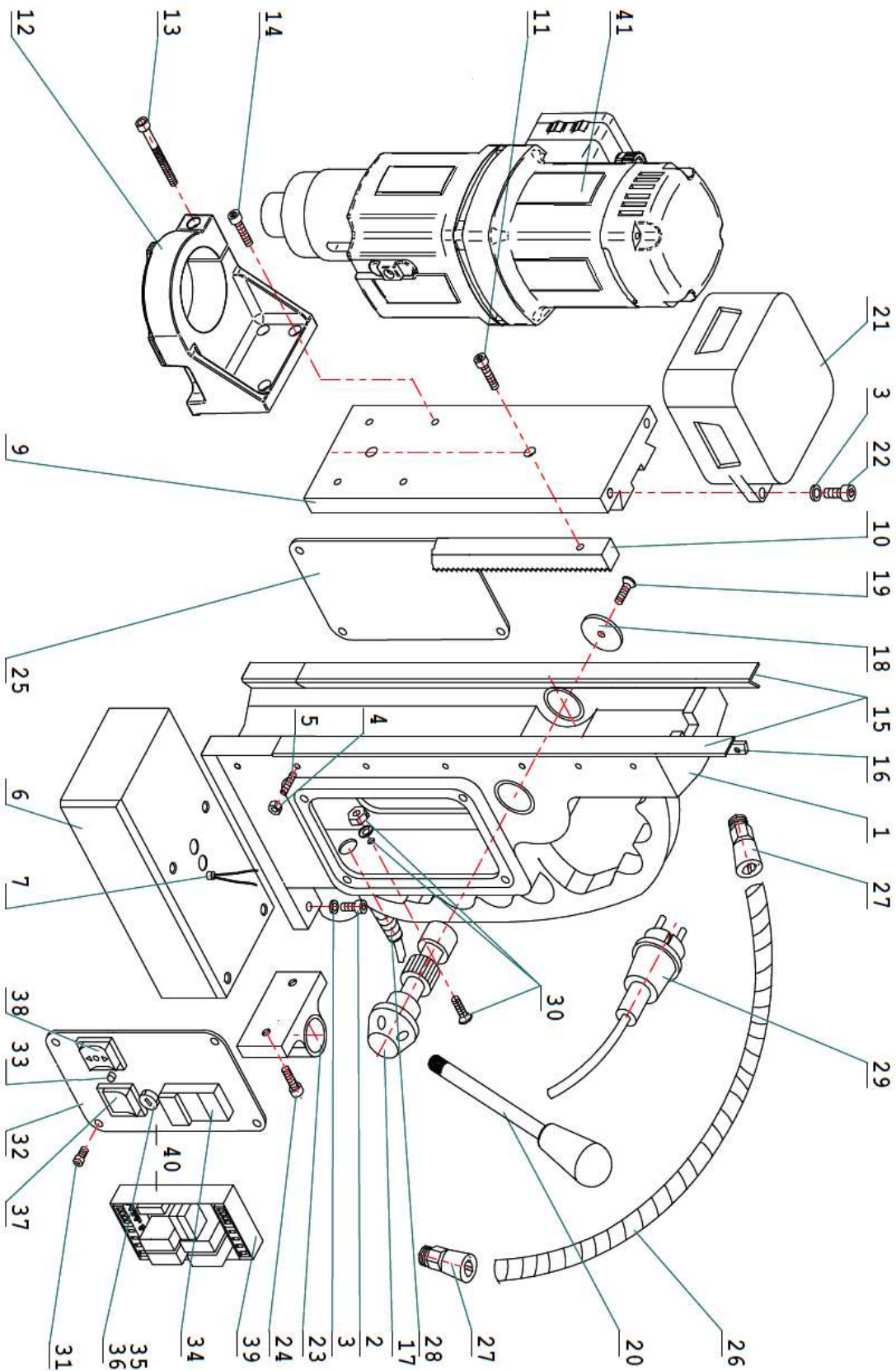


			61	100.0368	Carbon Brush set
			62	100.4312	Friction Clutch complete
1	100.4001	Frame	63	100.0372	Carbon Brush Holder
2	100.0006	Screw SSM8x25	64	100.4383	Field 230v
3	100.0031	Washer M8		100.4384	Field 110v
4	020.0096	Setting Nut	65	100.4388	Housing
5	020.0138	Setting Screw	66	100.0391	Baffle
6	100.0038	Magnet Base	67	100.4401	Inner Gear Plate
7	020.0201	Sensor	68	100.0458	Gasket
9	100.4041	Slide	69	040.0161	Needle Bearing
10	100.0076	Rack	70	100.4320	Double Gear 2
11	100.0066	Screw SSM6x30	71	100.4321	Axle 1
12	100.0046	Motorholder	72	100.0426	Circlip
13	100.0071	Screw SSM6x55	73	100.4431	Spindle Key
14	020.0106	Screw SSM6x16	74	100.4324	Spindle Gear (38T)
15	100.0081	Brass rail set (stick)	75	100.4411	Adaptor Ring
16	100.0084	Pressing strip	76	100.0446	Bearing
17	100.0101	Capstan hub assembly	77	100.0451	Circlip
	020.0336	Power Assist (big)	78	100.4326	Gear Casing
18	020.0077	End Plate	79	100.0461	Spindle Drive Shaft
19	020.0081	End Screw	80	100.0466	Bearing
20	100.0116	Arm for Capstan	81	100.0471	Circlip
21	100.0122	Motor Fixing	82	100.0476	Adaptor Ring
22	100.0126	Screw SSM8x35	83	100.0481	Needle Bearing
23	020.0151	Magnet spring ball	84	100.0486	Washer
24	020.0106	Screw SSM6x16	85	100.4491	Double Gear 1
25	PP.RLEU	Rear plate	86	100.4496	Key
26	100.0136	Motorcable	87	100.4332	Axle 2
27	020.0041	Coupling nut for motorcable	88	080.0351	Bearing
28	020.0031	Coupling nut for maincable	89	100.4334	Axle 3 (13T)
29	020.0036	Main Cable Euro	90	100.4336	Clutch Shaft 2
30	020.0182	Screw+washer+nut			
31	020.0101	Panel screw	92	100.4526	Key 3 (L)
32	PP.100/4	Front plate	93	100.4621	Plate for Gear Casing
33	020.0206	Sensor LED+cable	94	100.4342	Clutch Shaft 1
34	020.0006	On/Off Switch	95	040.0286	Gear Switch
35	020.0016	Fuse holder	96	100.4344	First Gear
36	020.0017	Fuse F2A	97	100.4346	Cylinder
37	020.0011	Magnet Switch	98	100.4348	Shell 25
38	100.0152	L/R switch (push)	99	100.4350	Nut
39	100.0002	Control Unit 220v	99A	100.4351	Washer
	100.0003	Control Unit 110v	99B	100.4338	Friction Disk 1
40	PPA.100/4	Panel Plate Assembly	99C	100.4340	Brass Disk 1
41	100.4303	Motor unit 1800W / 220v	99D	100.4349	Brass Disk 2
	100.4304	Motor unit 1800W / 110v	99E	100.4353	Friction Disk 2
			100	100.4352	Shell 28
51	100.0306	Screw	101	100.0581	Circlip
52	100.0459	Screw	102	080.0576	Bearing
53	100.4318	Armature 230v	103	100.0571	Circlip
	100.4319	Armature 110v	104	100.4571	T/S Switch housing Red/Blue
54	100.0322	End Cover	105	100.0611	T/S Switch Cover
55	100.0536	Screw	106	100.4572	Speed Potentiometer 100K
56	100.4333	Speed Control Unit 230v	107	100.4573	Torque Potentiometer 1K
	100.4334	Speed Control Unit 110v	108	100.4574	Red Wheel
57	100.0346	Rubber Fitting Ring	109	100.4575	Blue Wheel
58	100.1310	Washer	110	100.0549	Casing Pin
59	100.0348	Armature Speed Disk	111	100.0617	Screw 6x45
60	100.0506	Bearing	112	100.4569	T/S Switch Housing complete

Motorunit ECO.100/4



Frame ECO.100/4



Important notice :

Because of minor changes to our machines it is recommended to provide the framenumber of your machine when ordering spare parts. This number can be found on front of machine at magnetic base and frame. When you have any doubt when ordering spare parts, please contact your supplier before ordering.